

Karin

SITS



Karin

J. Archer

designed by: Ian Archer



UPHOLSTERY



fabric



leather

COMFORTS



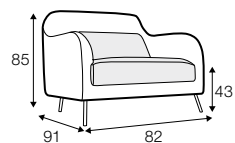
STD standard



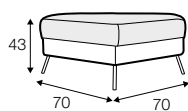
LUX lux



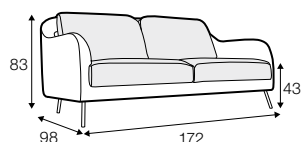
FC fixed



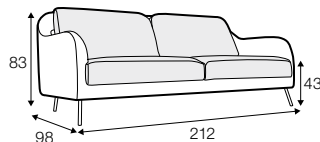
armchair



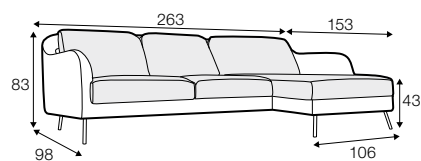
footstool 70x70



2 seater

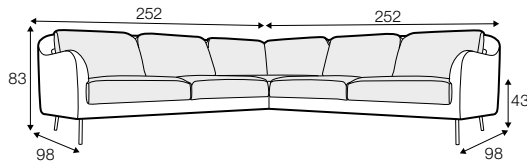


3 seater



set 1 right / or left

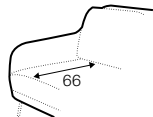
2 seater left / or right + chaiselongue right / or left



set 2

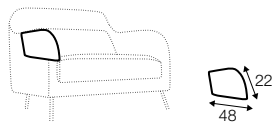
2 seater left + corner 90° + 2 seater right

extra dimensions

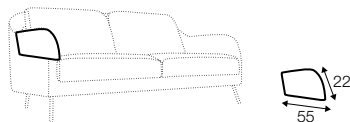


depth of seat

accessories

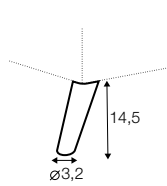


armchair armrest cover 48x22

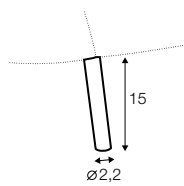


armrest cover for others 55x22

legs

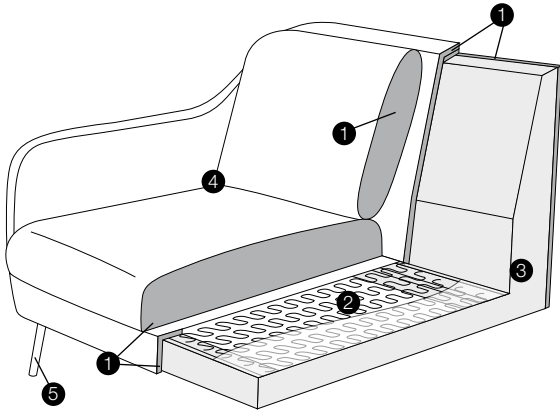


no. 141A
wood



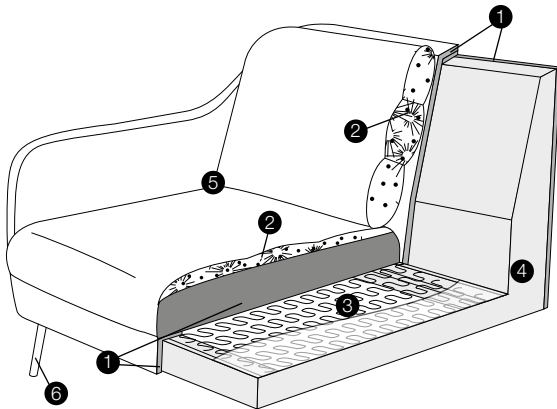
no. 160A
metal chrome,
painted black
or brass gold

profile



standard

1. polyurethane foam / high resilient polyurethane foam
2. springs
3. solid wood and wood based elements
4. fabric or leather
5. solid wood or metal legs



lux

1. polyurethane foam / high resilient polyurethane foam
2. cushion chamber with mix of feather and silicone balls
3. springs
4. solid wood and wood based elements
5. fabric or leather
6. solid wood or metal legs